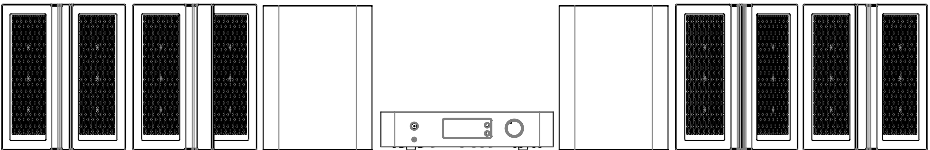




involve audio
Intelligent Sound

Involve Audio Y4

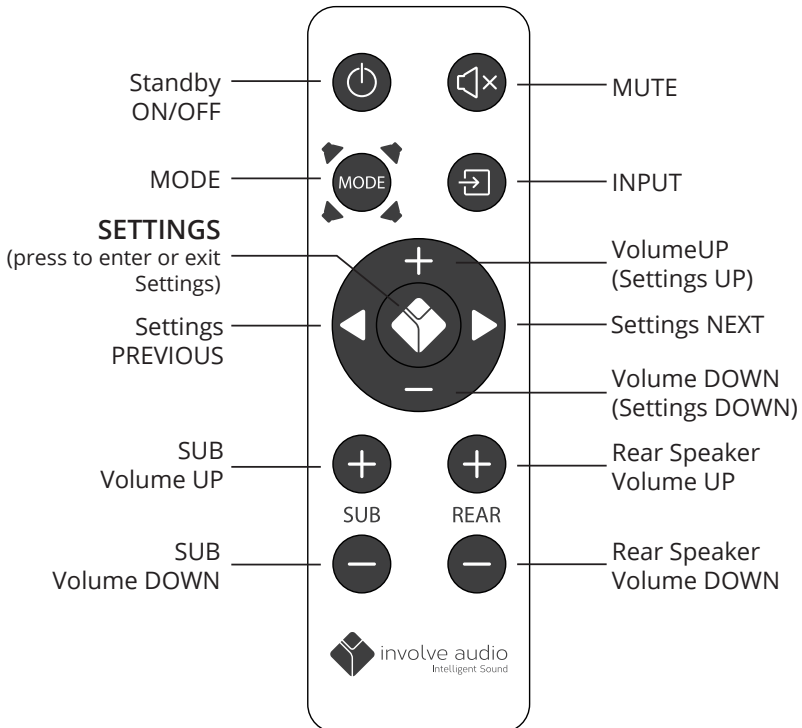
Quick Start Guide

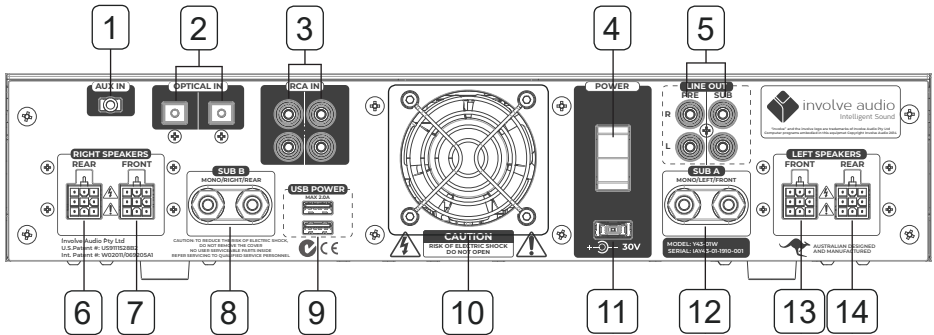
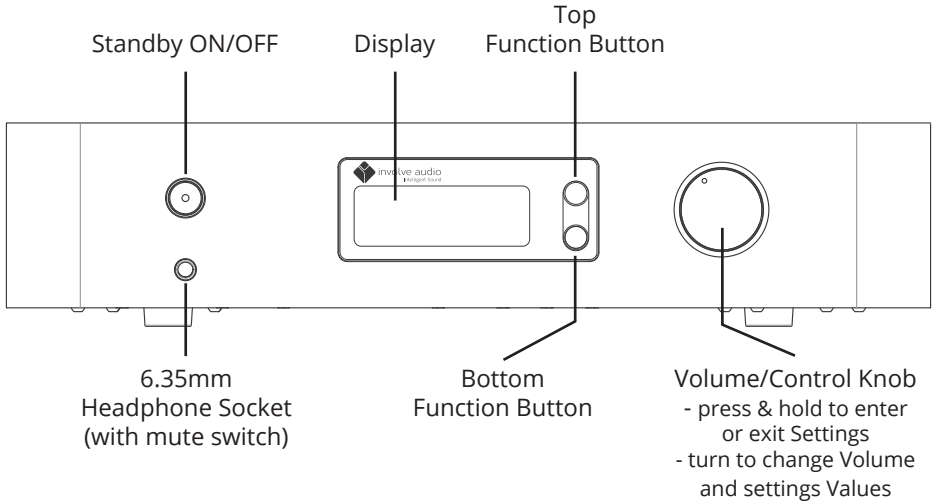


Quick Start Guide

These are quick setup instructions and should help you quickly get your Y4 system setup and going, for more detail please read the full instruction manual.

1. Unpack from box
2. Assemble Y Speakers
3. Position speakers around the room
4. Connect Speakers and Devices to the Y4 Amplifier
5. Connect Power to the Y4 Amplifier
6. Turn ON the Y4 with the Power Switch on the rear fo the amplifier
7. Calculate and set SweetSpot Delay Distance to suit your room
8. Set Sub-Woofer Mode according to your setup
9. Set listening mode to SST Involve for optimum sound experience
10. Play some music and adjust Rear Speaker and Sub-Woofer levels to your preference

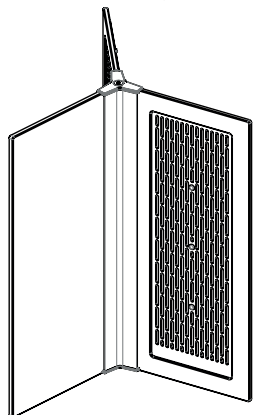




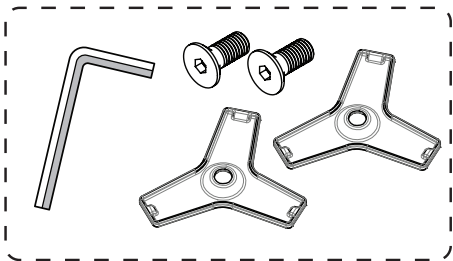
- | | |
|--------------------------|--------------------------------|
| 1 3.5mm Aux IN | 8 SUB B (Mono/Right/Rear) |
| 2 OPTICAL IN x2 | 9 USB 5V Power Out x2 |
| 3 RCA IN x2 | 10 Air Flow vents, don't cover |
| 4 POWER SWITCH | 11 30V POWER IN |
| 5 RCA Line OUT | 12 SUB A (Mono/Left/Front) |
| 6 Y Speaker - REAR LEFT | 13 Y Speaker - FRONT RIGHT |
| 7 Y Speaker - FRONT LEFT | 14 Y Speaker - REAR RIGHT |

Y Speaker A - FL/RR

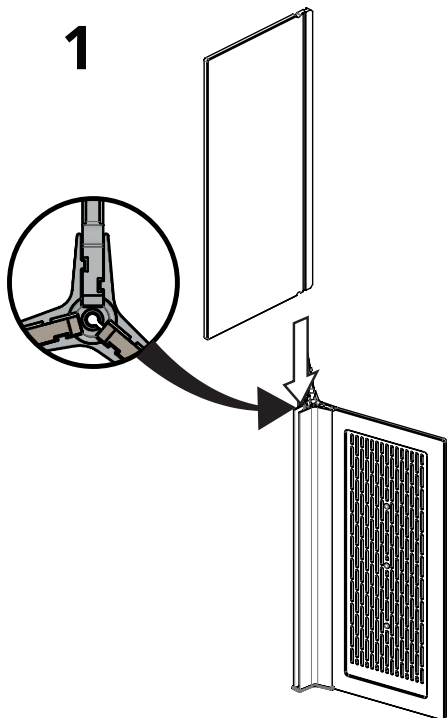
(Front Left / Rear Right)



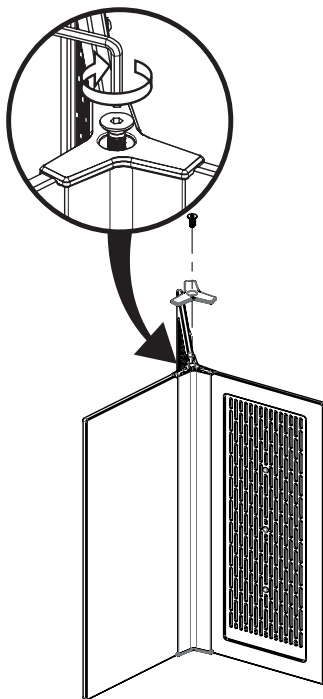
x2



1

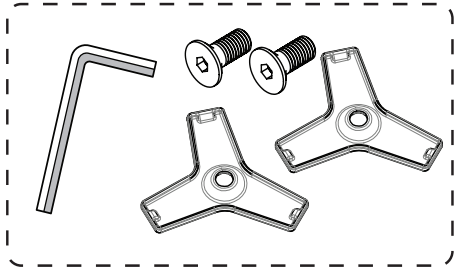
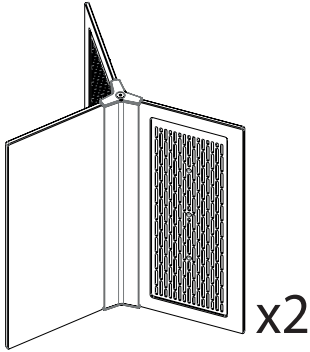


2

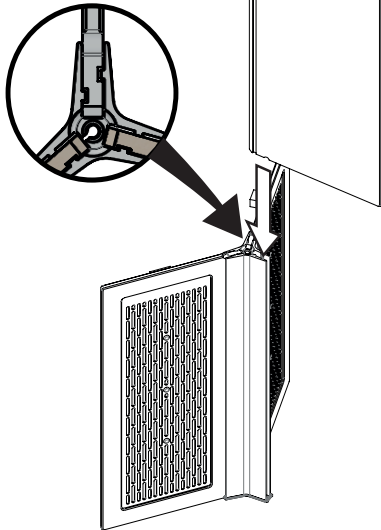


Y Speaker B - FR/RL

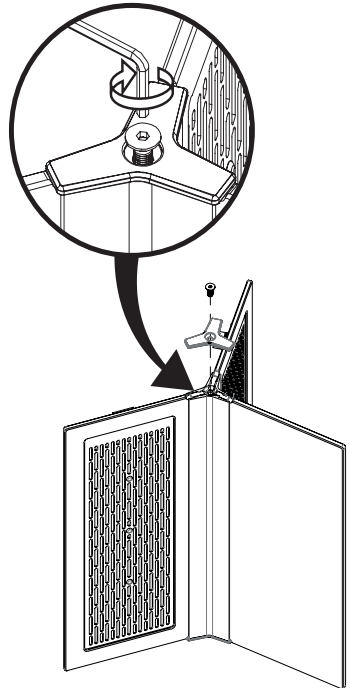
(Front Right / Rear Left)



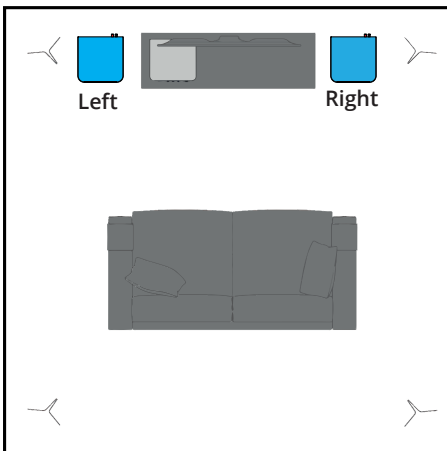
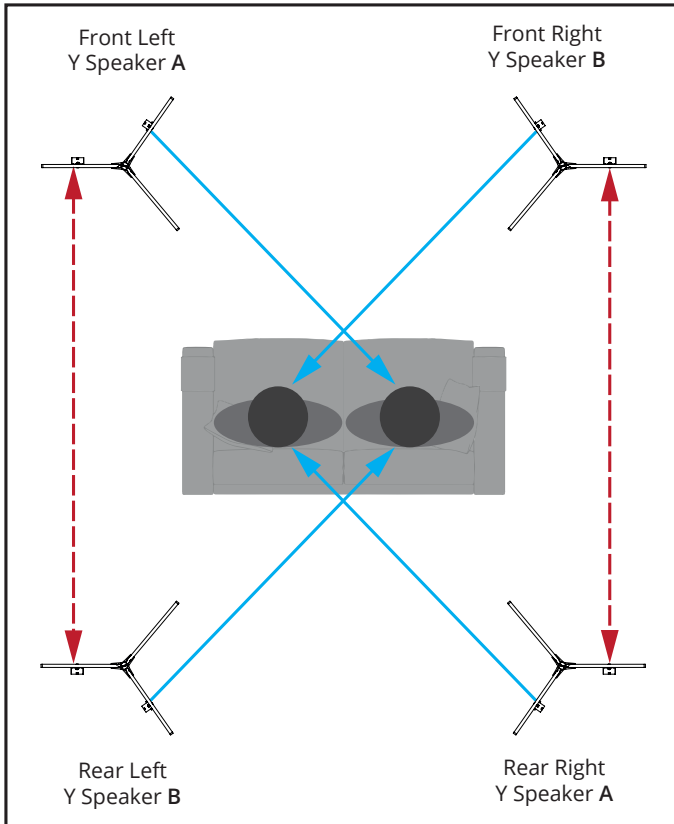
1



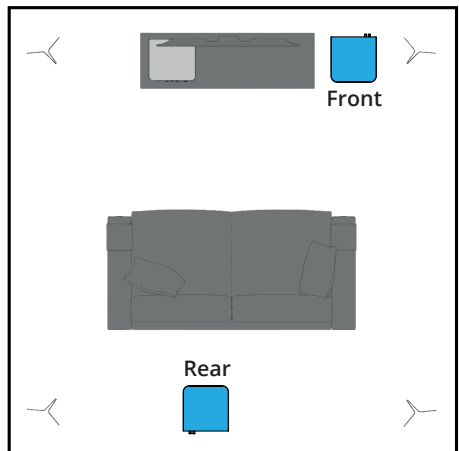
2



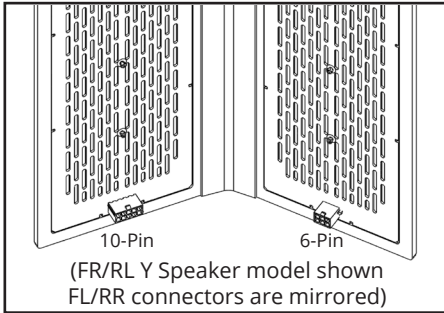
Speaker Positioning



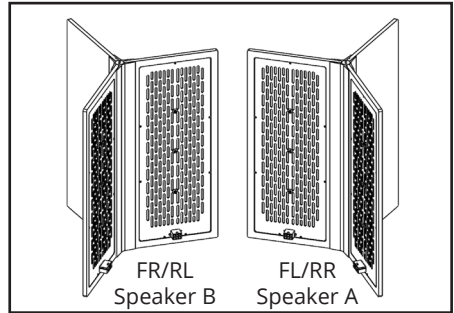
Stereo Sub-Woofer



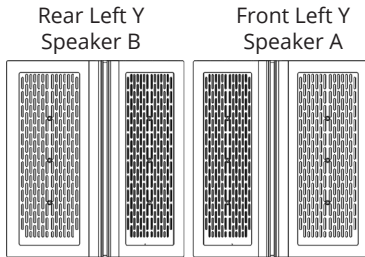
Front/Rear Sub-Woofer



Y Speaker connectors

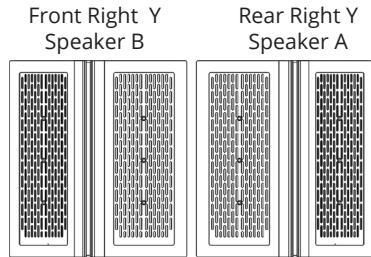


Y Speakers in upright position



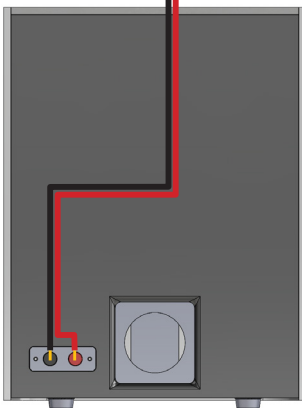
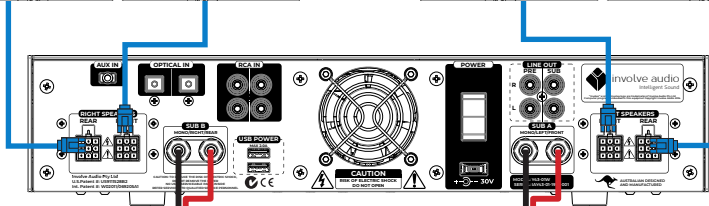
Rear Left Y Speaker B

Front Left Y Speaker A

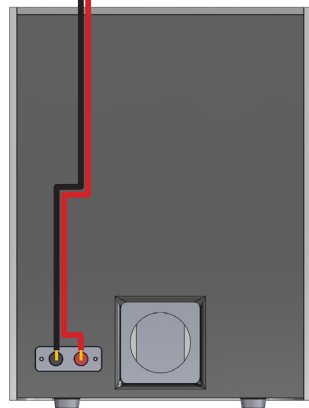


Front Right Y Speaker B

Rear Right Y Speaker A

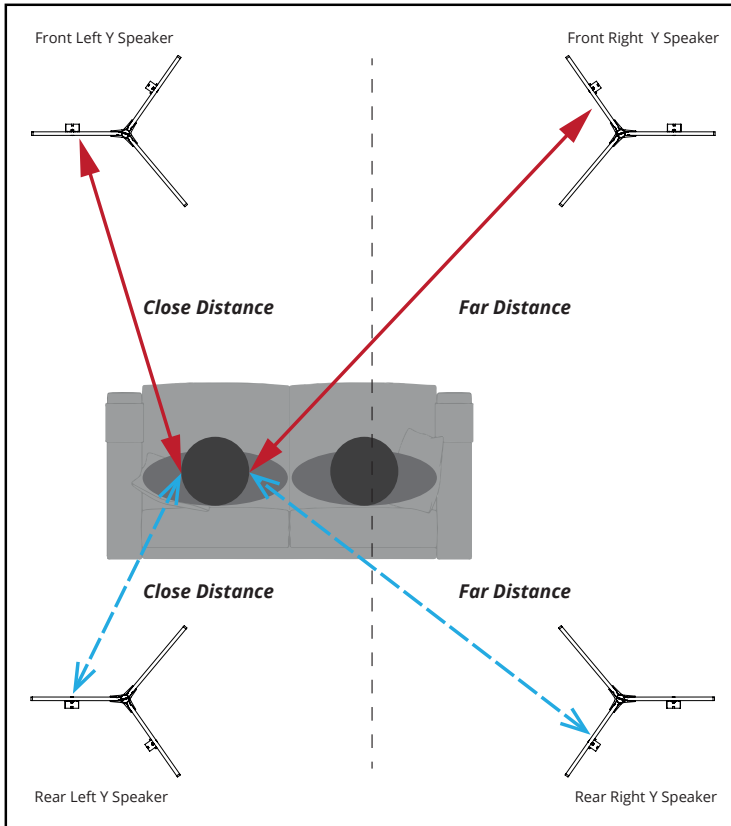


Mono/Right/Rear Sub-Woofer



Mono/Left/Front Sub-Woofer

Setting up SweetSpot™ (SST™)



$$\text{Delay Distance} = \text{Far Distance} - \text{Close Distance}$$

Delay Distance (Metres)	Delay Distance (Feet, Inches)	SST™ REAR/FRONT Setting Value
0m	0'	0
0.4m	1' 4"	0.4
0.5m	1' 8"	0.5
0.6m	2'	0.6
0.8m	2' 8"	0.8
0.9m	3'	0.9
1.0m	3' 3"	1.0
1.2m	3' 11"	1.2
1.4m	4' 7"	1.4
1.6m	5' 3"	1.6